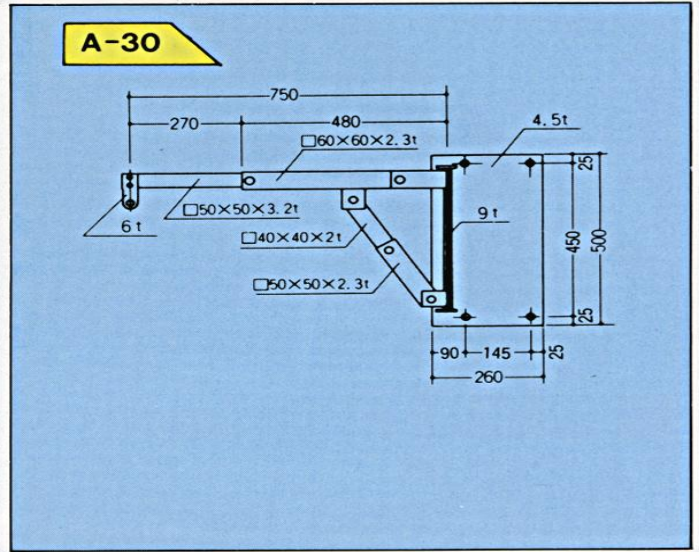
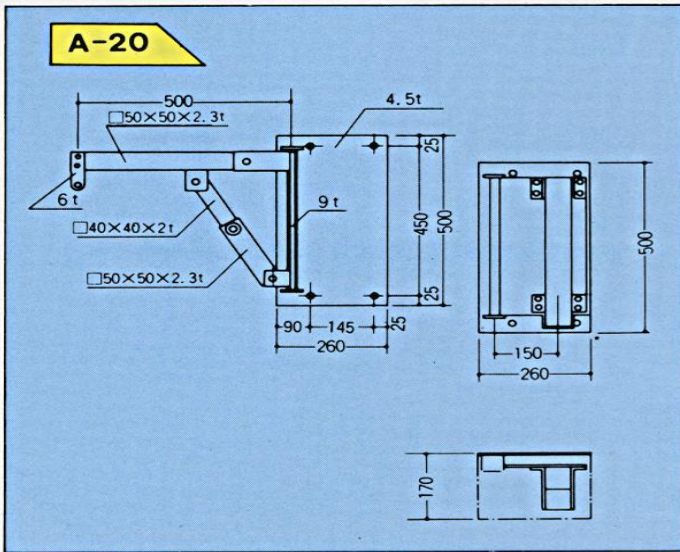


## ◎ MAIN ATTACHING HARDWARE

Attached on the column, wall etc of the building.



※Speed Adjusting Device is stored-separately.

Attached on the floor of the building.

